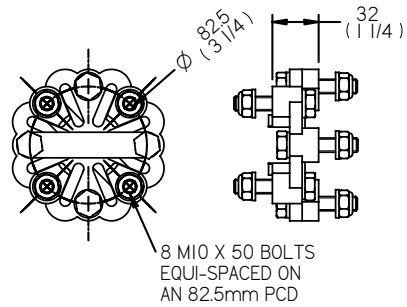
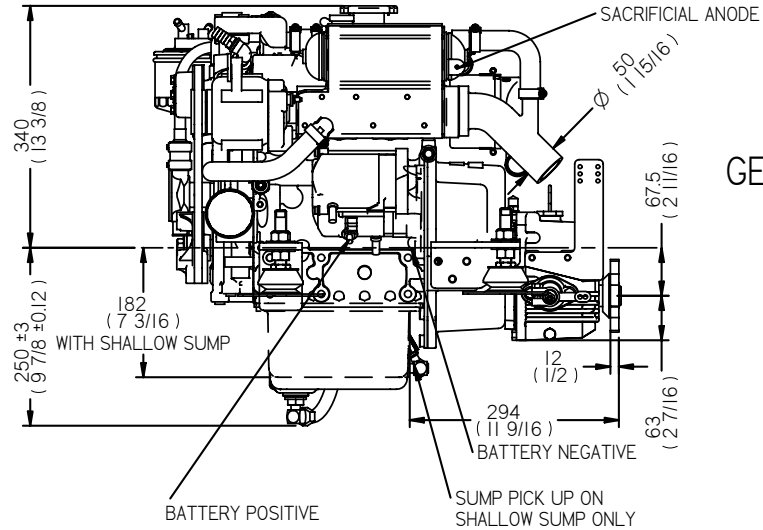
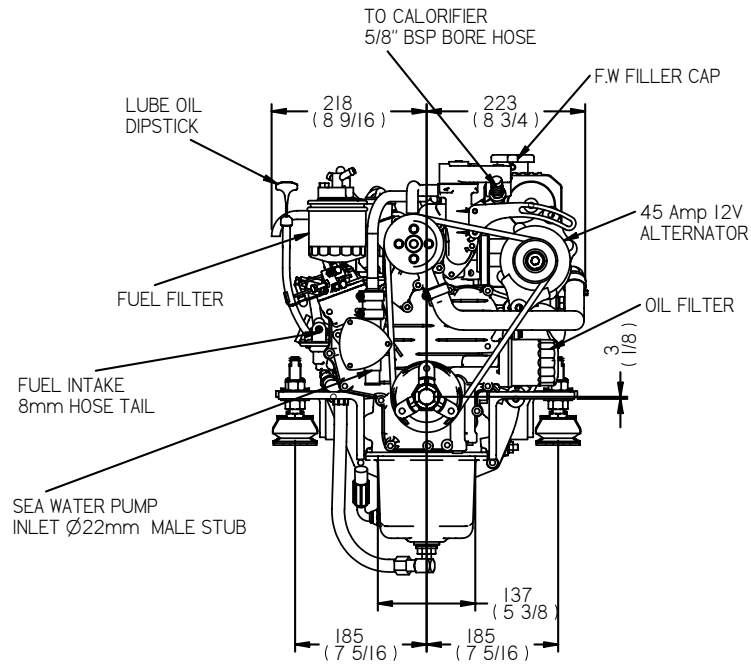
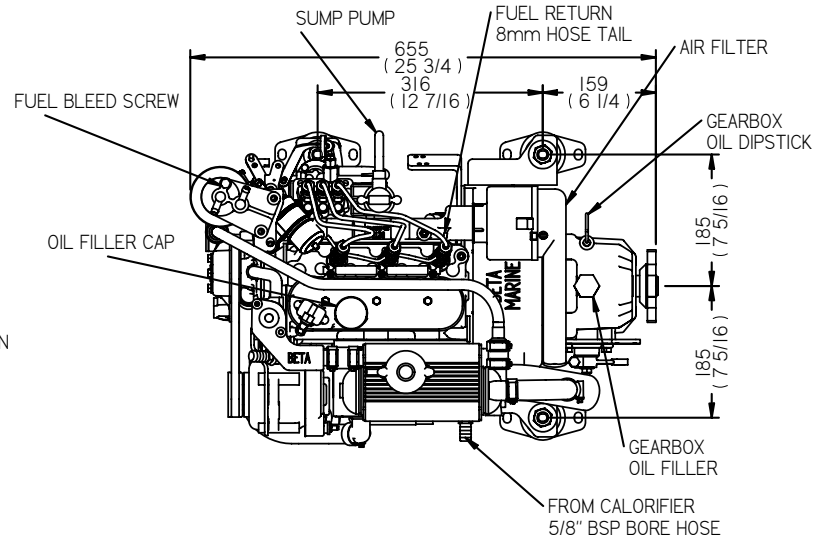
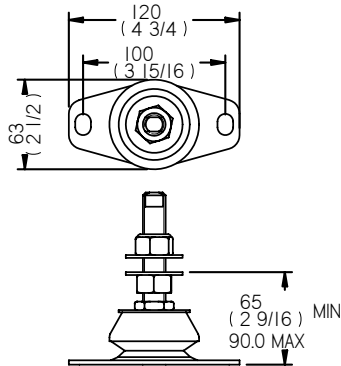


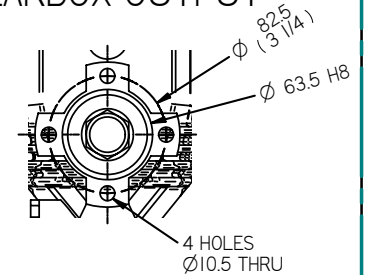
FLEXIBLE COUPLING DETAILS



FLEXIBLE MOUNT DETAILS



GEARBOX OUTPUT



REV	DESCRIPTION	DATE	APP'D	DRAWN	NOTES
01	NEW TITLE BLOCK	18-05-04	LT	TW	
02	FUEL FILTER, HVE TANK AND AIR FILTER	25-07-05	LT	TW	
03	CALORIFIERS AND TIER2 CLOSED BREATHER	20/12/05		TW	

DIMENSIONS IN MM (INCH)  
 DO NOT SCALE

BETA MARINE LTD.  
 MERRETT'S MILLS,  
 BATH ROAD,  
 SOUTH WOODCHESTER,  
 STROUD, GLOS. GL5 5EU

TEL: (01453) 835282 FAX: (01453) 835284

TITLE

**BD722 HEAT EXCHANGE  
TMC40 GEARBOX**

DRAWN BY: TW SIZE A4 DWG NO. 100-99610 REV 03  
 CHECKED BY: SCALE PAGE 1 of 1 DATE 11/08/2006