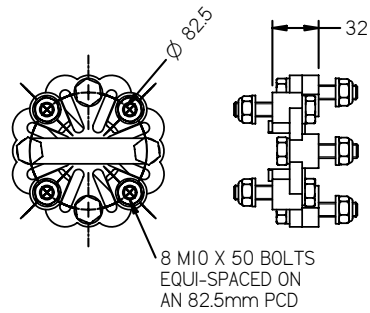
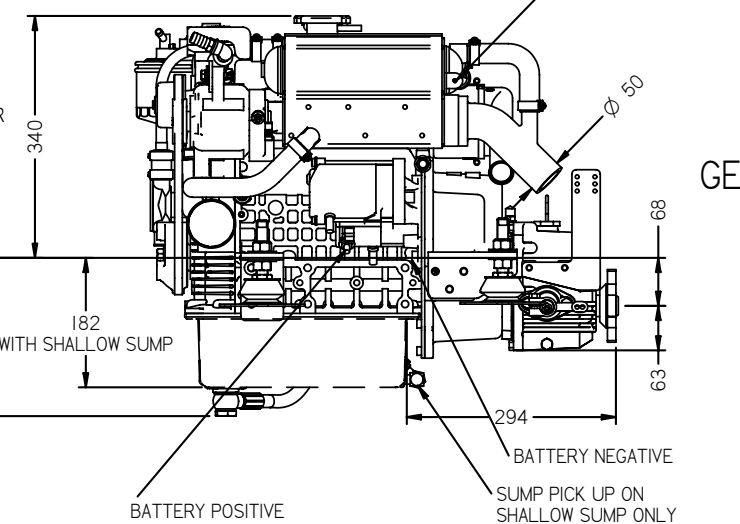
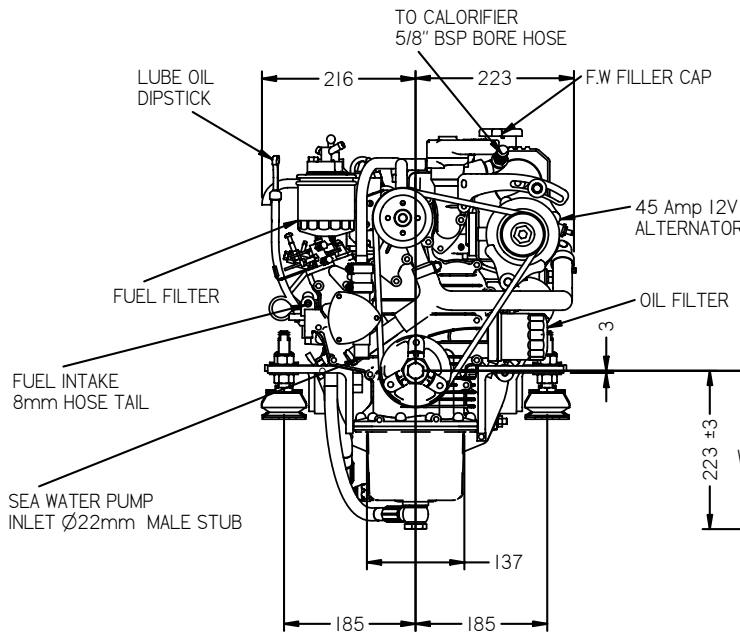
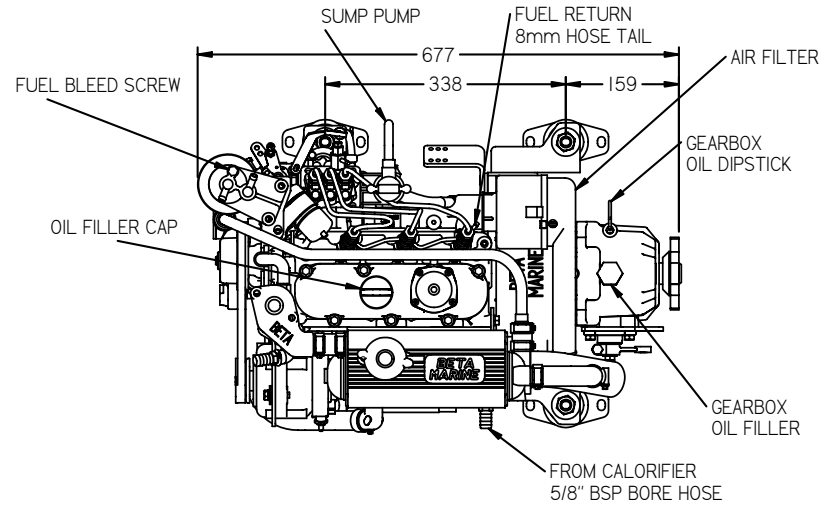
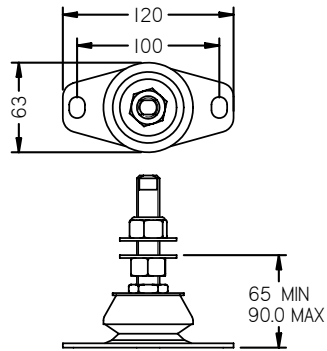


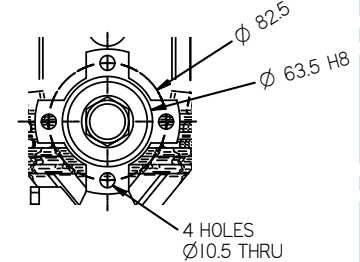
FLEXIBLE COUPLING DETAILS



FLEXIBLE MOUNT DETAILS



GEARBOX OUTPUT



REV	DESCRIPTION	DATE	APP'D	DRAWN	NOTES
01	CALORIFIERS AND SHALLOW SUMP	19/01/06		TW	

DIMENSIONS IN MM (INCH)  
DO NOT SCALE

BETA MARINE LTD.  
MERRETT'S MILLS,  
BATH ROAD,  
SOUTH WOODCHESTER,  
STROUD, GLOS. GL5 5EU

TEL: (01453) 835282 FAX: (01453) 835284

TITLE **BETA 25 (BD902) HEAT EXCHNGE  
TMC40 GEARBOX**

DRAWN BY: TW  
CHECKED BY: -

SIZE **A4**  
SCALE

DWG NO. **100-06495**  
PAGE 1 of 1

REV 01  
DATE 19/01/2006