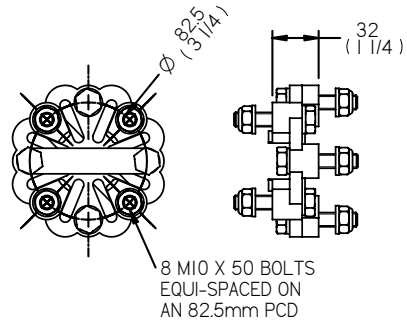
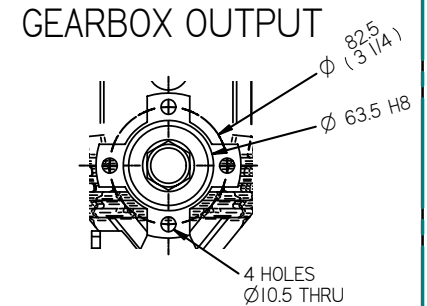
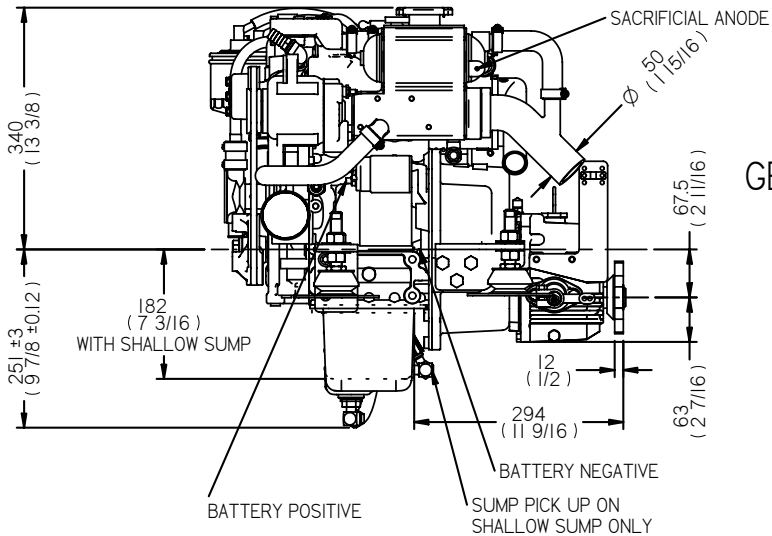
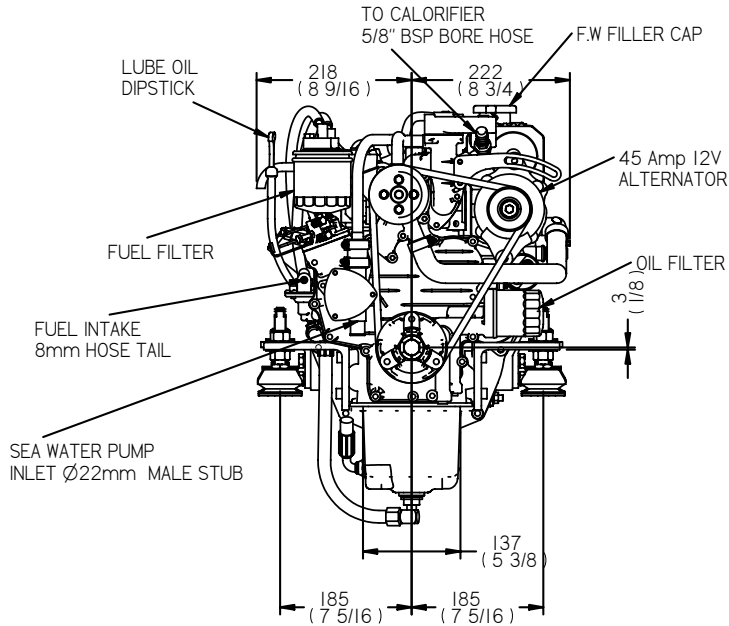
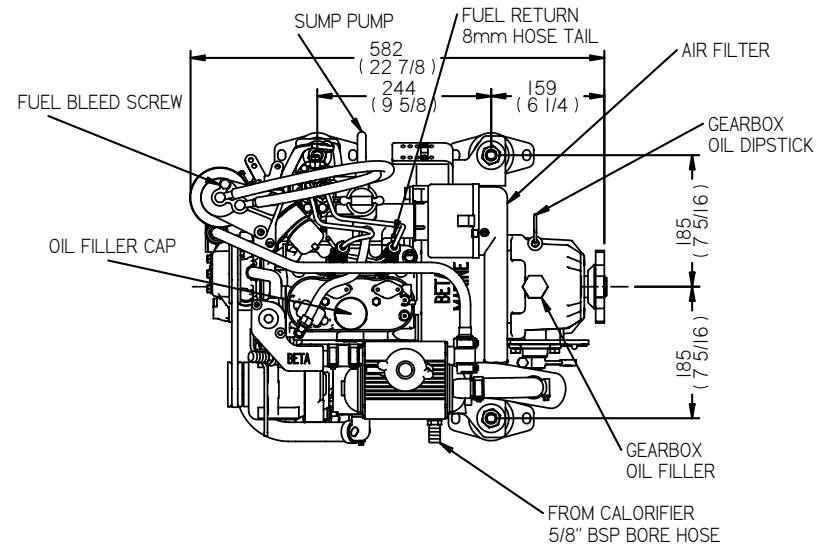
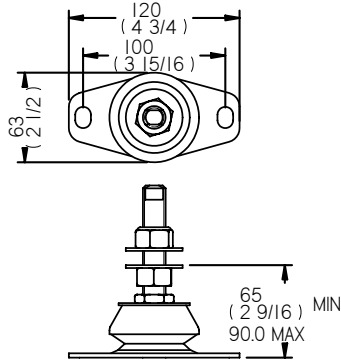


FLEXIBLE COUPLING DETAILS



FLEXIBLE MOUNT DETAILS



REV	DESCRIPTION	DATE	APP'D	DRAWN	NOTES
01	NEW TITLE BLOCK	15-01-04	LT	TW	
02	BATTERY CONNECTIONS AND WASTING ANODE	11-10-04	LT	TW	
03	FUEL FILTER, H/E TANK AND AIR FILTER	25-07-05	LT	TW	
04	CALORIFIERS AND TIER2 CLOSED BREATHER	20/12/05		TW	

TITLE
**BZ482 HEAT EXCHANGE
TMC40 GEARBOX**

DIMENSIONS IN MM (INCH)
DO NOT SCALE

BETA MARINE

TEL: (01453) 835282 FAX: (01453) 835284

BETA MARINE LTD.
MERRETT'S MILLS,
BATH ROAD,
SOUTH WOODCHESTER,
STROUD, GLOS. GL5 5EU

DRAWN BY: timw
CHECKED BY:--

SIZE
A4

DWG NO.
100-06019

REV
04

SCALE NTS

PAGE 1 of 1

DATE 15/01/2007